

## Medium Flat Screen Wall Mount

For more information please visit [www.btechavmounts.com/BTV501](http://www.btechavmounts.com/BTV501)

**BTV501**

Registered Design Number: 001713280-0022



### BTV501

#### Medium Flat Screen Wall Mount

**Designed for screens up to 42" (107cm) / 40kg (88lbs)**

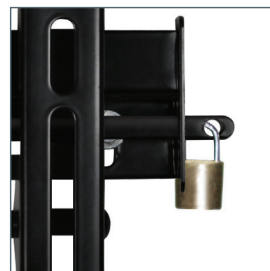
- Fits screens with mounting patterns up to: H: 225mm (8.6") x V: 200mm (7.9") including VESA® patterns up to 200 x 200mm
- 5 fixed tilt positions up to +15°
- Mounts screen only 44mm (1.73") from wall
- Includes locking bar for secure installation
- Suitable for concrete, brick or stud walls up to 10"
- Post-installation screen alignment
- Simple hook-on installation with all mounting hardware included
- Available in Black



Mounts screen only 44mm (1.73") from wall



5 fixed tilt positions up to +15°



Locking bar for secure installation\*



Easy to install in any home

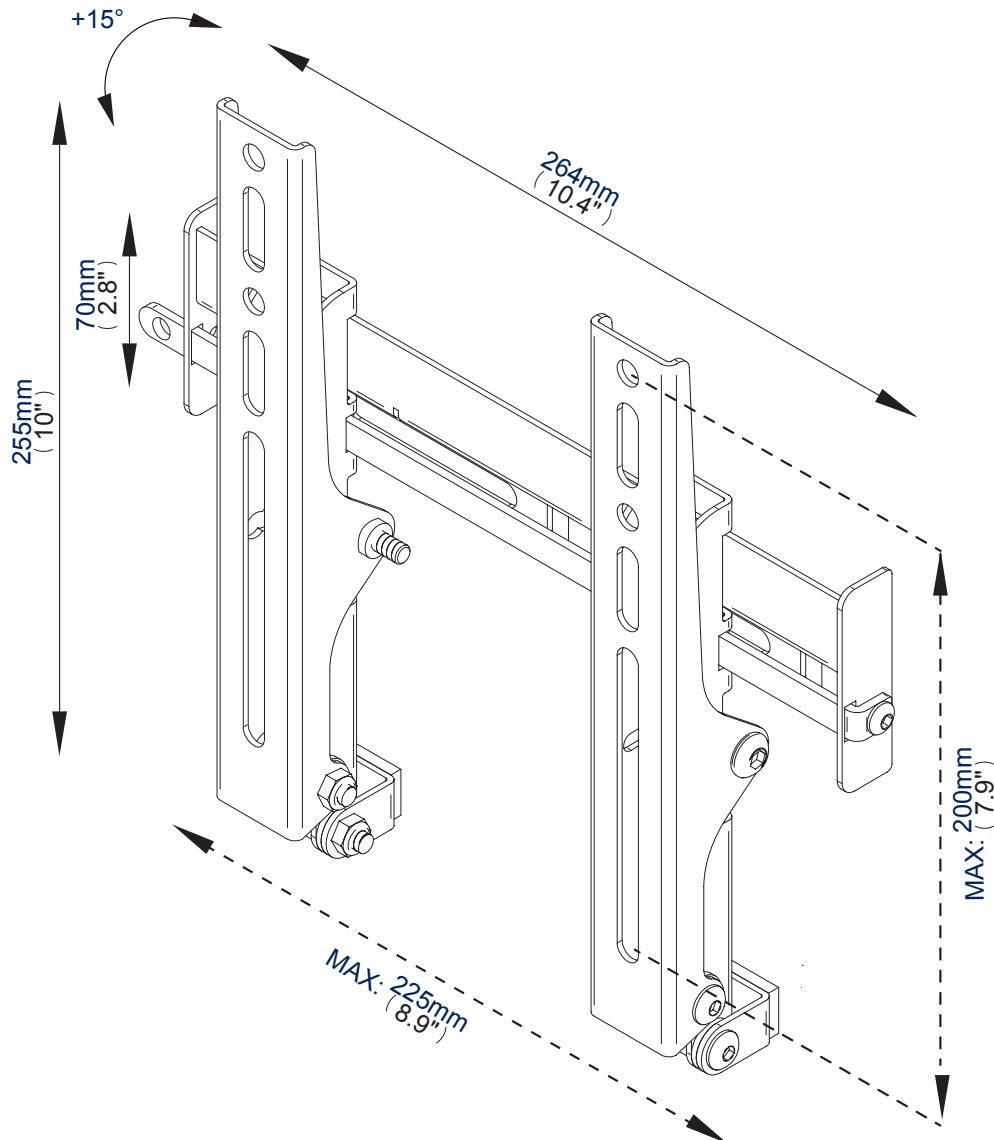
\*Padlock not included

### Medium Flat Screen Wall Mount with Tilt and Swivel

For more information please visit [www.btechavmounts.com/BTV501](http://www.btechavmounts.com/BTV501)

**BTV501**

Registered Design Number: 001713280-0022



Colour:	Order Ref:	EAN Code:	Master Carton Qty:	Inner Carton Qty:	Master Carton Weight:	Master Carton Cube:
Black	BTV501/B	5019318440076	6	N/A	11.51 kg ( 25.38lbs)	0.021cbm (0.771 cuft)

**This information is intended as a guide only and reflects the current specification at the time of print.  
B-Tech accepts no liability for the accuracy of the information contained in this document.**